

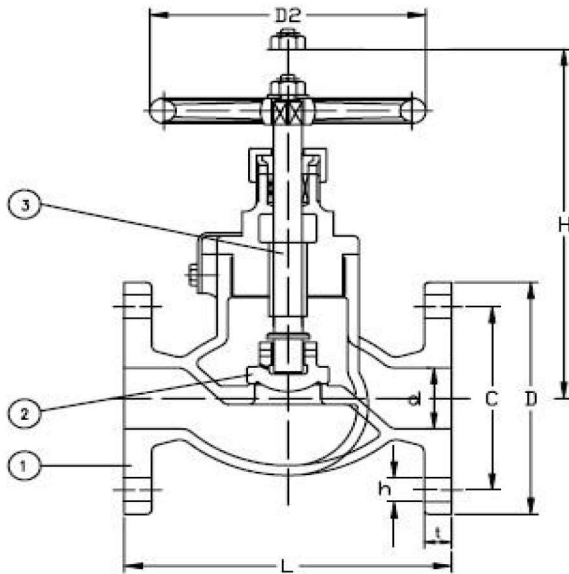
# SERIES F7351-JIS5K

# SERIES F7409-JIS16K

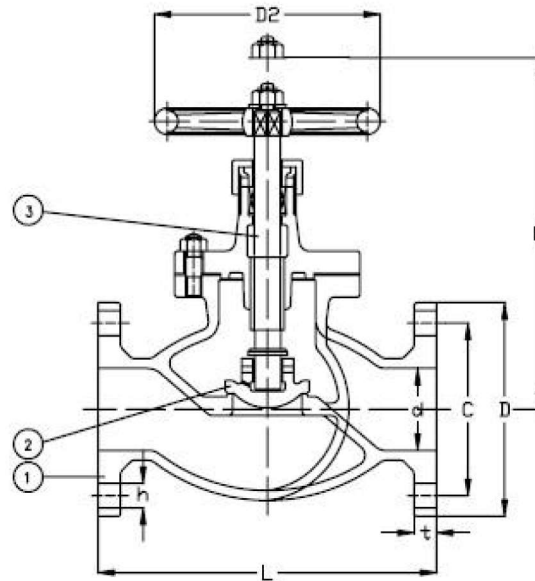
## Bronze Globe Valve(SDNR)

Manufactured in accordance to JIS F7400

Flanges as per JIS B2220-5K&16K



**Screwed Bonnet 15A-40A**



**Bolted Bonnet 50A-65A**

Part Nr.	Material	Code
1- Body	Bronze	BC6
2- Seat	Bronze	BC6
3- Disc	Stainless	C3771BD

Nominal Pressure		5K	16K
Hydraulic	Body	12kg	38kg
Inspection	Seat	8kg	23kg

TYPE	SIZE	L	D	C	No	h	t	H	KG
F7351 5K	15	100	80	60	4	12	9	130	2.02
	20	110	85	65	4	12	10	140	2.86
	25	120	95	75	4	12	10	160	3.54
	32	140	115	90	4	15	12	170	5
	40	160	120	95	4	15	12	190	6.48
	50	210	130	105	4	15	14	235	11.7
F7409 16K	65	250	155	130	4	15	14	260	17
	15	110	95	70	4	15	12	130	2.76
	20	120	100	75	4	15	14	140	3.72
	25	130	125	90	4	19	14	160	5.2
	32	160	135	100	4	19	16	170	6.91
	40	180	140	105	4	19	16	190	8.43