

SERIES F7305-JIS5K

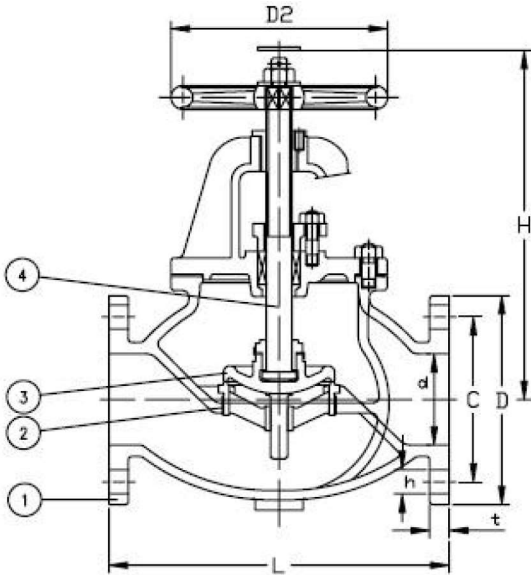
Cast Iron Globe Valve

SERIES F7353-JIS5K

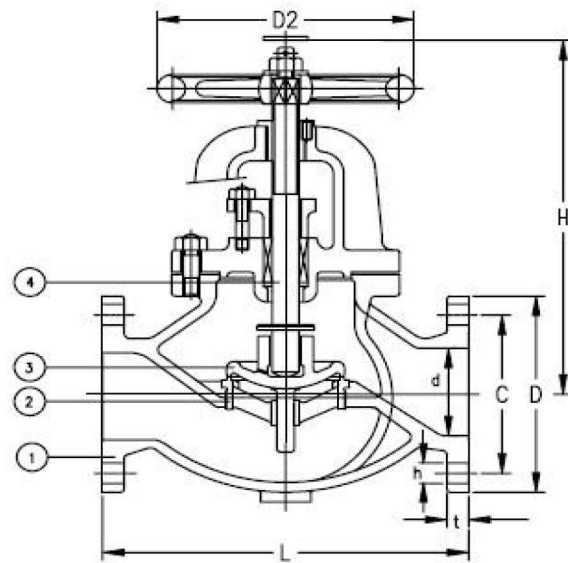
Cast Iron Globe Valve(SDNR)

Manufactured in accordance to JIS F7400

Flanges as per JIS B2220-5K



Series F7305



Series F7353-SDNR

Part Nr.	Material	Code
1- Body	Cast Iron	FC200
2- Seat	SUS/Bronze	SCS2/BC6
3- Disc	SUS/Bronze	SCS2/BC6
4- Stem	SUS/Brass	SUS403/C3771BD

Nominal Diameter	Test Pressure MPa[kgf/cm ²]	
	Body	Seat
300 or less	1.03[10.5]	0.76[7.7]
350and400	0.88[9]	0.65[6.6]

Size	L	D	C	NO	h	t	H	D2	KG
50	210	130	105	4	15	16	270	160	14.7
65	250	155	130	4	15	18	300	180	21.3
80	280	180	145	4	19	18	310	180	27.7
100	340	200	165	8	19	20	360	224	40.8
125	410	235	200	8	19	20	390	250	57.6
150	480	265	230	8	19	22	445	280	80.3
200	570	320	280	8	23	24	530	315	139
250	740	385	345	12	23	26	650	355	230
300	840	430	390	12	23	28	740	400	309
350	940	480	435	12	25	30	840	500	418
400	1050	540	495	16	25	30	940	630	600