

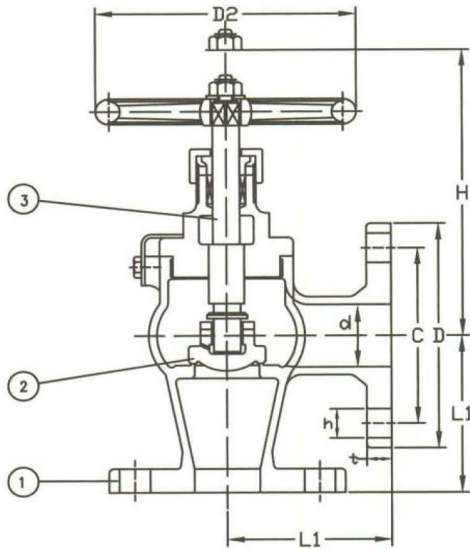
SERIES F7352-JIS5K

SERIES F7410-JIS16K

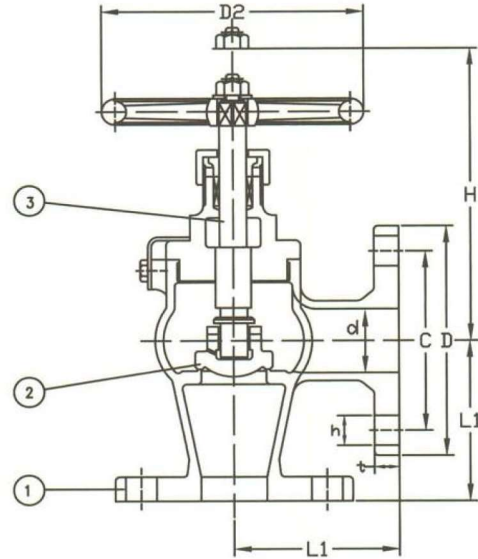
Bronze Angle Valve(SDNR)

Manufactured in accordance to JIS F7400

Flanges as per JIS B2220-5K&16K



Screwed Bonnet 15A-40A



Bolted Bonnet 50A-65A

| Part Nr. | Material | Code |
|----------|-----------|---------|
| 1- Body | Bronze | BC6 |
| 2- Seat | Bronze | BC6 |
| 3- Disc | Stainless | C3771BD |

| Nominal Pressure | | 5K | 16K |
|------------------|------|------|------|
| Hydraulic | Body | 12kg | 38kg |
| Inspection | Seat | 8kg | 23kg |

| TYPE | SIZE | L | D | C | No | h | t | H | KG |
|--------------|------------|-----|-----|-----|----|----|----|-----|------|
| F7352 | 15 | 55 | 80 | 60 | 4 | 12 | 9 | 120 | 1.98 |
| | 20 | 60 | 85 | 65 | 4 | 12 | 10 | 130 | 2.73 |
| | 5K | 25 | 65 | 95 | 4 | 12 | 10 | 145 | 3.44 |
| | 32 | 80 | 115 | 90 | 4 | 15 | 12 | 150 | 4.77 |
| | 40 | 85 | 120 | 95 | 4 | 15 | 12 | 165 | 5.99 |
| | 50 | 100 | 130 | 105 | 4 | 15 | 14 | 200 | 10.1 |
| F7410 | 65 | 115 | 155 | 130 | 4 | 15 | 14 | 220 | 15.6 |
| | 15 | 70 | 95 | 70 | 4 | 15 | 12 | 120 | 2.73 |
| | 20 | 75 | 100 | 75 | 4 | 15 | 14 | 130 | 3.65 |
| | 16K | 25 | 85 | 125 | 90 | 4 | 19 | 14 | 145 |
| | 32 | 95 | 135 | 100 | 4 | 19 | 16 | 150 | 6.72 |
| | 40 | 100 | 140 | 105 | 4 | 19 | 16 | 165 | 8.13 |