

SERIES F7307-JIS10K

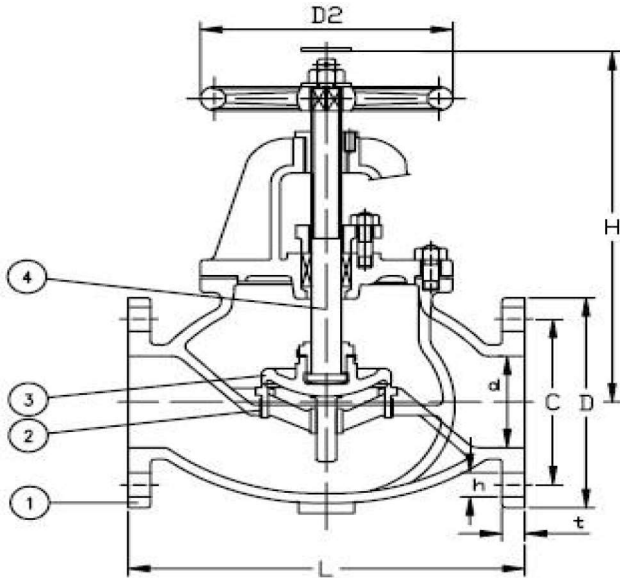
Cast Iron Globe Valve

SERIES F7375-JIS10K

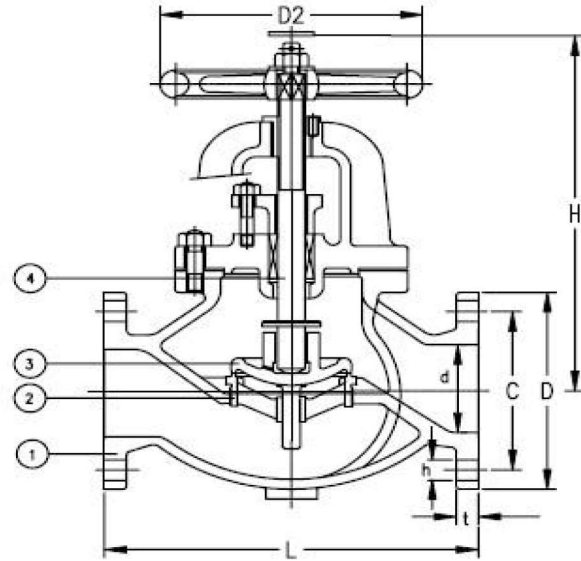
Cast Iron Globe Valve(SDNR)

Manufactured in accordance to JIS F7400

Flanges as per JIS B2220-5K



Series F7307



Series F7375-SDNR

Part Nr.	Material	Code
1- Body	Cast Iron	FC200
2- Seat	SUS/Bronze	SCS2/BC6
3- Disc	SUS/Bronze	SCS2/BC6
4- Stem	SUS/Brass	SUS403/C3771BD

Nominal Diameter	Test Pressure MPa[kgf/cm ²]	
	Body	Seat
200 or less	2.06[21]	1.51[15.4]
250 or more	1.47[15]	1.08[11]

Size	L1	D	C	NO	h	t	H	D2	KG
50	220	155	120	4	19	20	285	160	19.9
65	270	175	140	4	19	22	310	200	28.7
80	300	185	150	8	19	22	320	200	32.4
100	350	210	175	8	19	24	370	250	48.7
125	420	250	210	8	23	24	420	280	73.1
150	490	280	240	8	23	26	470	315	104
200	570	330	290	12	23	26	555	355	162
250	740	400	355	12	25	30	680	450	304
300	840	445	400	16	25	32	770	500	458