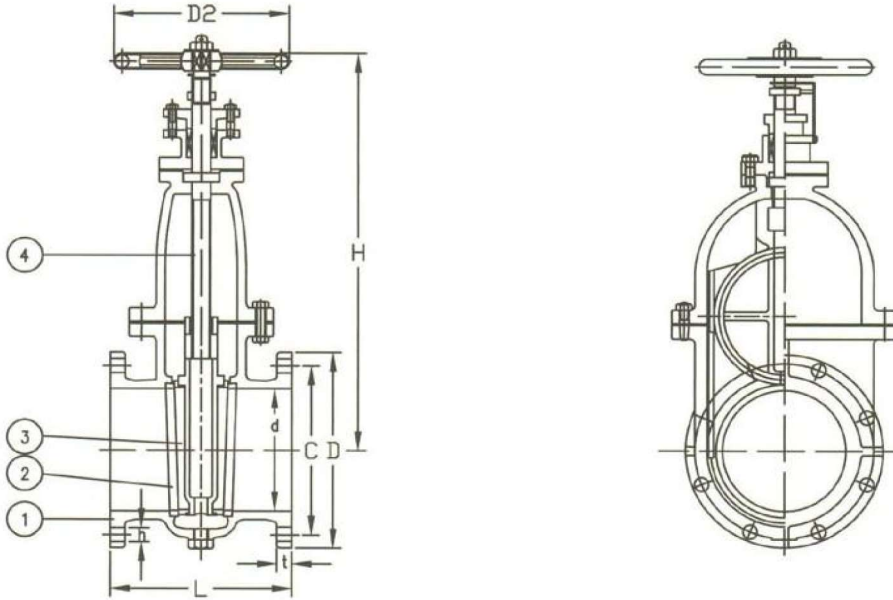


SERIES F7363-JIS 5K

Cast Iron Gate Valve

Manufactured in accordance to JIS F7400

Flanges as per JIS B2220-5K



SERIES F7363

Part Nr.	Material	Code
1- Body	Cast Iron	FC200
2- Seat	SUS/Bronze	SCS2/BC6
3- Disc	SUS/Bronze	SCS2/BC6
4- Stem	SUS/Brass	SUS403/C3771BD

Nominal	Test Pressure MPa[kgf/cm ²]	
Diameter	Body	Seat
50-250	1.03[10.5]	0.76[7.7]

Size	L	D	C	No	h	t	H	D2	KG
50	180	130	105	4	15	16	285	125	13.5
65	190	155	130	4	15	18	330	140	19
80	200	180	145	4	19	18	380	160	24.2
100	230	200	165	8	19	20	430	180	35.3
125	250	235	200	8	19	20	495	200	48.1
150	270	265	230	8	19	22	560	224	65.3
200	290	320	280	8	23	24	680	280	103
250	330	385	345	12	23	26	800	355	164
300	370	430	390	12	23	28	920	400	236
350	410	480	435	12	25	30	1000	450	307