

SERIES F7308-JIS10K

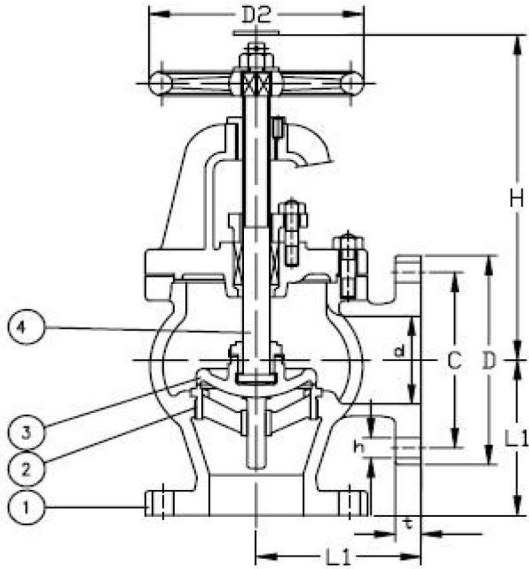
Cast Iron Angle Valve

SERIES F7376-JIS10K

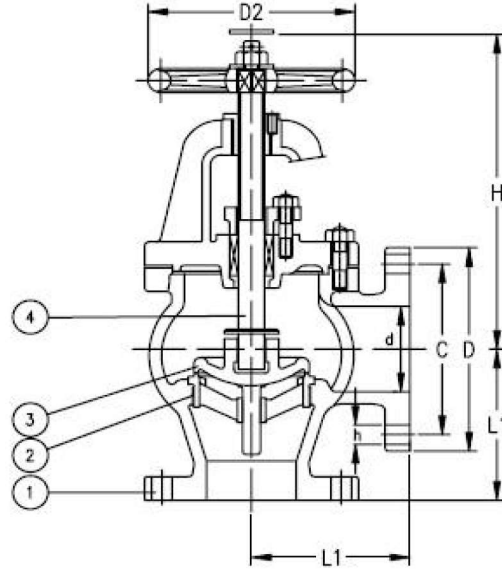
Cast Iron Angle Valve(SDNR)

Manufactured in accordance to JIS F7400

Flanges as per JIS B2220-10K



Series F7308



Series F7376-SDNR

| Part Nr. | Material | Code |
|----------|------------|----------------|
| 1- Body | Cast Iron | FC200 |
| 2- Seat | SUS/Bronze | SCS2/BC6 |
| 3- Disc | SUS/Bronze | SCS2/BC6 |
| 4- Stem | SUS/Brass | SUS403/C3771BD |

| Nominal Diameter | Test Pressure MPa[kgf/cm ²] | |
|------------------|---|------------|
| | Body | Seat |
| 200 or less | 2.06[21] | 1.51[15.4] |
| 250 or more | 1.47[15] | 1.08[11] |

| Size | L1 | D | C | NO | h | t | H | D2 | KG |
|------|-----|-----|-----|----|----|----|---------|-----|------|
| 50 | 120 | 155 | 120 | 4 | 19 | 20 | 255/255 | 160 | 18.2 |
| 65 | 130 | 175 | 140 | 4 | 19 | 22 | 270/260 | 200 | 25.4 |
| 80 | 140 | 185 | 150 | 8 | 19 | 22 | 275/270 | 200 | 27.4 |
| 100 | 160 | 210 | 175 | 8 | 19 | 24 | 315/305 | 250 | 40.6 |
| 125 | 180 | 250 | 210 | 8 | 23 | 24 | 360/350 | 280 | 69.9 |
| 150 | 205 | 280 | 240 | 8 | 23 | 26 | 405/390 | 315 | 81 |
| 200 | 230 | 330 | 290 | 12 | 23 | 26 | 475/450 | 355 | 125 |
| 250 | 290 | 400 | 355 | 12 | 25 | 30 | 570 | 450 | 211 |
| 300 | 320 | 445 | 400 | 16 | 25 | 32 | 645 | 500 | 293 |
| 350 | 360 | 490 | 445 | 16 | 25 | 34 | 710 | 560 | 386 |
| 400 | 420 | 560 | 510 | 16 | 27 | 36 | 790 | 630 | 544 |