

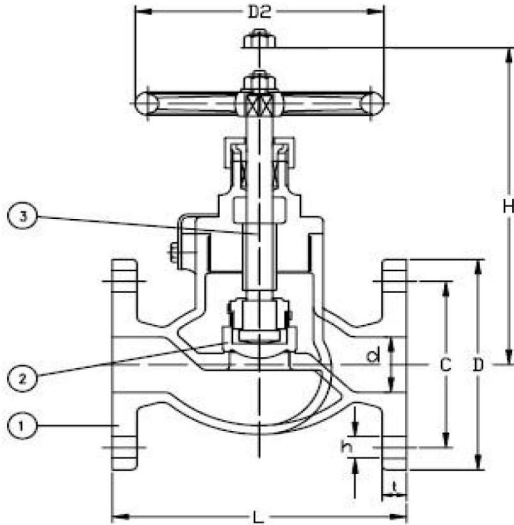
SERIES F7301-JIS5K

SERIES F7303-JIS16K

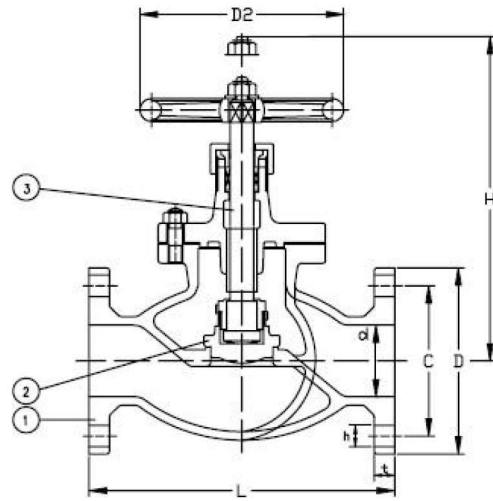
Bronze Globe Valve

Manufactured in accordance to JIS F7400

Flanges as per JIS B2220-5K&16K



Screwed Bonnet 15A-40A



Bolted Bonnet 50A-65A

Part Nr.	Material	Code
1- Body	Bronze	BC6
2- Disc	Bronze	BC6
3- Stem	Brass	C3771BD

Nominal Pressure		5K	16K
Hydraulic	Body	12kg	38kg
	Seat	8kg	23kg

Type	Size	L	D	C	NO	h	t	H	D2	KG
F7301 5K	15	100	80	60	4	12	9	130	80	2.02
	20	110	85	65	4	12	10	140	100	2.86
	25	120	95	75	4	12	10	160	125	3.54
	32	140	115	90	4	15	12	170	125	5.00
	40	160	120	95	4	15	12	190	140	6.48
	50	210	130	105	4	15	14	135	140	11.7
F7303 16K	65	250	155	130	4	15	14	260	160	17.0
	15	110	95	70	4	15	12	130	80	2.76
	20	120	100	75	4	15	14	140	100	3.72
	25	130	125	90	4	19	14	160	125	5.20
	32	160	135	100	4	19	16	170	125	6.91
40	180	140	105	4	19	16	190	140	8.43	