

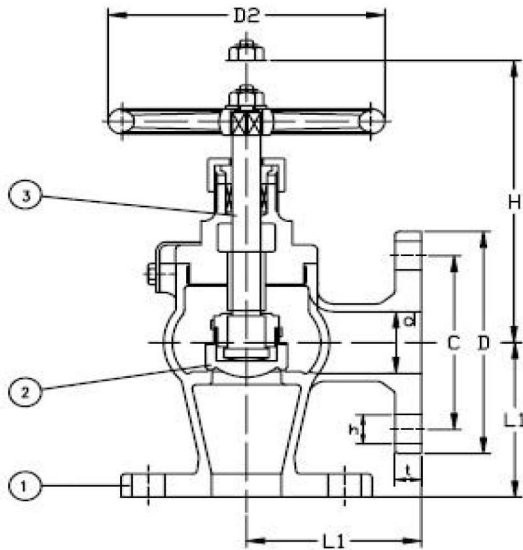
SERIES F7302-JIS5K

SERIES F7304-JIS16K

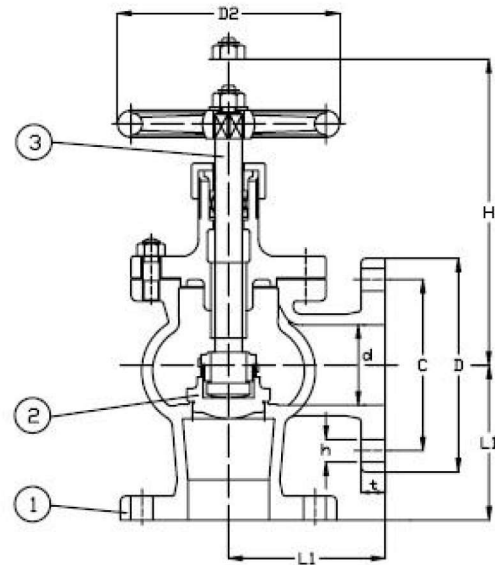
Bronze Angle Valve

Manufactured in accordance to JIS F7400

Flanges as per JIS B2220-5K&16K



Screwed Bonnet 15A-40A



Bolted Bonnet 50A-65A

Part Nr.	Material	Code
1- Body	Bronze	BC6
2- Disc	Bronze	BC6
3- Stem	Brass	C3771BD

Nominal Pressure		5K	16K
Hydraulic	Body	12kg	38kg
	Seat	8kg	23kg

Type	size	L	D	C	NO	h	t	H	D2	KG
F7302 5K	15	55	80	60	4	12	9	120	80	1.98
	20	60	85	65	4	12	10	130	100	2.73
	25	65	95	75	4	12	10	145	125	3.44
	32	80	115	90	4	15	12	150	125	4.77
	40	85	120	95	4	15	12	165	140	5.99
	50	100	130	105	4	15	14	200	140	10.1
F7304 16K	65	115	155	130	4	15	14	220	160	15.6
	15	70	95	70	4	15	12	120	80	2.73
	20	75	100	75	4	15	14	130	100	3.65
	25	85	125	90	4	19	14	145	125	5.16
	32	90	135	100	4	19	16	150	125	6.72
	40	100	140	105	4	19	16	165	140	8.13